

# SUSTAINABILITY DECLARATION

## SPUTNIK



INCLUSIVE DESIGN

## QUALITY AND ENVIRONMENTAL LABELLING



### MATERIAL CONTENT:

Wood	4,14 kg	89,6 %
Steel	0,35 kg	7,6 %
Foam	0,06 kg	1,3 %
Textile	0,06 kg	1,3 %
Plastic	0,01 kg	0,3 %
<b>Total</b>	<b>4,62 kg</b>	<b>100 %</b>

*Disclaimer: Material content is based on Sputnik 200 with fabric Xtreme from Camira Fabrics. Numbers may vary based on model and options selected. This applies throughout the declaration.*

### RECYCLED MATERIAL:

Post-consumer recycled content	0,13 kg	2,8 %
Pre-consumer recycled content	0 kg	0 %
<b>Total recycled content</b>	<b>0,13 kg</b>	<b>2,8 %</b>

### RECYCLABILITY:

Plastic	0,01 kg	0,3 %
Steel	0,35 kg	7,6 %
Textile	0,06 kg	1,3 %
<b>Total material recycling</b>	<b>0,42 kg</b>	<b>9,1 %</b>

Wood	4,14 kg	89,6 %
Foam	0,06 kg	1,3 %
<b>Total energy recovery</b>	<b>4,20 kg</b>	<b>90,9 %</b>

### TOTAL CO2:



### ENERGY VALUE: (in accordance with NF Environnement)

47 MJ

## FULFILLED TECHNICAL STANDARDS

- EN 16139 Strength, durability and safety, for personnel weight of 110 kg.
- EN 1728 Test methods for the determination of the strength and durability
- EN 1022 Determination of stability
- EN 12720 Assessment of surface resistance to cold liquids
- SIS 83 91 17 Assessment of surfaces resistance to scratches
- EN ISO 105-E04 Colour fastness to perspiration

## FULFILLED FIRE REQUIREMENTS

- EN 1021-1 Assessment of the ignitability of upholstered furniture – part 1: Ignition source smouldering cigarette
- EN 1021-2 Assessment of the ignitability of upholstered furniture – part 2: Ignition source match flame equivalent
- Euroclass D

## CHEMICAL DATA

Following have not been added to the product:

Substances on Reach candidate list

Asbestos

Heavy metals

Brominated or halogenated flame retardants

PVC

Hexavalent chromium

## COMPANY CERTIFICATIONS

- ISO 14001
- ISO 9001
- OHSAS 18001
- FSC® Chain of Custody

## PACKAGING AND TRANSPORT

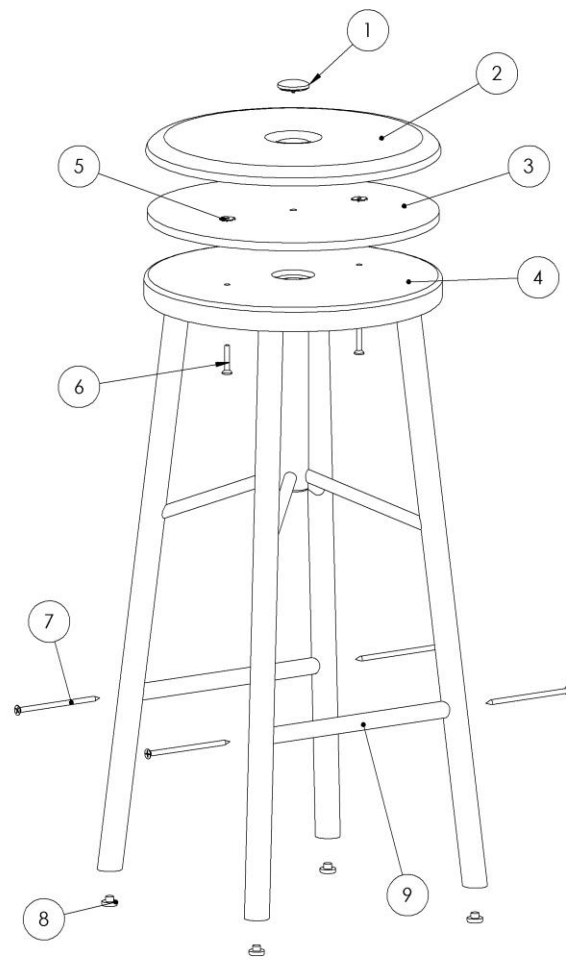
Packaged in recyclable packaging. NC is connected to FTI, the Swedish nationwide recycling system for packaging. Shipped with external carriers.

## CARE AND MAINTENANCE RECOMMENDATIONS

Please visit our webpage.

<http://www.ncnordiccare.se/care-instructions/?lang=en>

# RECYCLING



Material	ID	Disassembly	Waste fraction
Wood	3, 4	Screwdriver	Combustible waste/Wood
Foam	2	Glued on wood, Knife	Combustible waste
Textile	1, 2	Staple remover/Scissor	Textile
Plastic	8, 9	Hammer	Plastic
Steel	1, 5, 6, 7, 8, 9	Screwdriver	Metal

*\*The product should in first hand be reused or remade before recycling its components.*

## LEED CONTRIBUTION

The product can contribute to the earning of points within the following credits.

### LEED V 4

#### Interior Design & Construction

MR Credit: Interiors life-cycle impact reduction	Services offered for recycling, refreshing or reusing products. Share of recyclable material in the product: 9,1 %.
MR Credit: Building product disclosure and optimization – sourcing of raw materials	Recycled content: Post consumer 2,8 %, Pre consumer 0 %. The product is FSC labelled.

#### Building Design and Construction

MR Credit: Building product disclosure and optimization – sourcing of raw materials	Recycled content: Post consumer 2,8 %, Pre consumer 0 %. The product is FSC labelled.
MR Credit: Furniture and medical furnishings (healthcare)	The product contains no or less than 100ppm hexavalent chromium, heavy metals, PFCs or PFOA, or added anti-microbial treatments. Recycled content: Post consumer 2,8 %, Pre consumer 0 %. The product is FSC labelled.

#### Building Operations and Maintenance

MR Credit: purchasing—facility maintenance and renovation	The product does not contain any substances on REACH Authorization or Candidate list. The product is FSC labelled.
---	---

Verified date: 2020-08-27