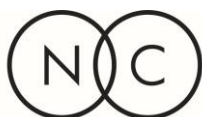


# SUSTAINABILITY DECLARATION

## HUMLAN CHAIR



INCLUSIVE DESIGN

## QUALITY AND ENVIRONMENTAL LABELLING



## MATERIAL CONTENT

Wood	6,5 kg	76,9 %
Foam	0,8 kg	9,5 %
Steel	0,8 kg	9,5 %
Fabric	0,4 kg	4,1 %
Plastic	<0,1 kg	<0,1 %
<b>Total</b>	<b>8,45 kg</b>	<b>100 %</b>

*Disclaimer: Material content is based on Humlan 370 with birch legs and fabric Xtreme from Camira. Numbers may vary based on model and options selected. This applies throughout the declaration.*

## RECYCLED MATERIAL

Post-consumer recycled content	0,5 kg	6,0 %
Pre-consumer recycled content	0 kg	0 %
<b>Total recycled content</b>	<b>0,5 kg</b>	<b>6,0 %</b>

## RECYCLABILITY:

Material recycling	1,2 kg	13,6 %
Energy recovery	7,3 kg	86,4 %

## TOTAL CO2:



## ENERGY VALUE: (in accordance with NF Environnement):

199 MJ

## FULFILLED TECHNICAL STANDARDS

- EN 16139 Strength, durability and safety, for personnel weight of 110 kg.
- EN 1728 Test methods for the determination of the strength and durability.
- EN 1022 Determination of stability.
- EN 12720 Assessment of surface resistance to cold liquids
- SIS 83 91 17 Assessment of surfaces resistance to scratches
- EN ISO 105-E04 Colour fastness to perspiration

## FULFILLED FIRE REQUIREMENTS

- EN 1021-1 Assessment of the ignitability of upholstered furniture – part 1: Ignition source smouldering cigarette
- EN 1021-2 Assessment of the ignitability of upholstered furniture – part 2: Ignition source match flame equivalent
- Euroclass D

*Disclaimer: Fire requirements EN 1021-1 and EN 1021-2 are based on fabric Xtreme from Camira.*

## CHEMICAL DATA

Following have not been added to the product:

Substances on Reach candidate list

Asbestos

Heavy metals

Phthalates

Brominated or halogenated flame retardants

PVC

Hexavalent chromium

## COMPANY CERTIFICATIONS

- ISO 14001
- ISO 9001
- ISO 45001
- FSC® Chain of Custody

## PACKAGING AND TRANSPORT

Packaged in recyclable packaging labeled with FSC. NC is connected to FTI, the Swedish nationwide recycling system for packaging. Shipped with external carriers.

## MATERIALS

All wood materials are traceable from legal and acceptable sources. Birch wood is certified with FSC Mix.

Plywood meets CARB Phase 2 and E1 formaldehyde emissions, certified with FSC Mix.

Foam and fabric certified with Oeko-Tex.

Upholstery fabric made from 100 % recycled polyester, certified with EU Ecolabel.

Water based lacquers.

Water based adhesives.

Steel 20 % recycled.

Plastic free from PVC.

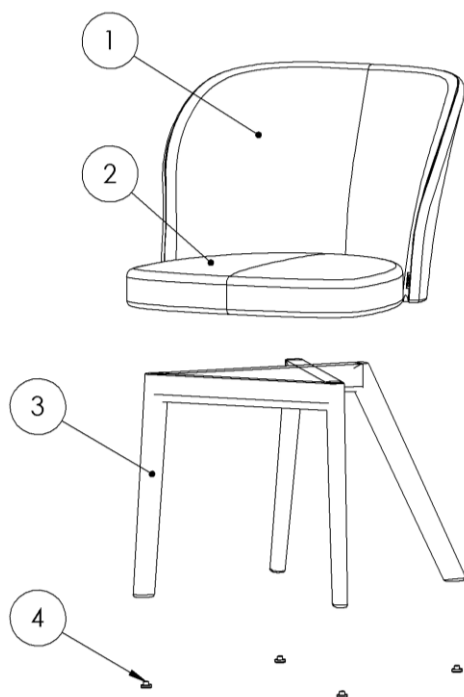
No conflict minerals.

## CARE AND MAINTENANCE RECOMMENDATIONS

Please visit our webpage.

<http://www.ncnordiccare.se/care-instructions/?lang=en>

## RECYCLING



Wood	1, 2, 3
Foam	1, 2
Fabric	1, 2
Steel	1, 2, 4
Plastic	4

## LEED CONTRIBUTION

The product can contribute to the earning of points within the following credits.

## LEED 2009

### Interior Design & Construction

MR 4 Recycled Content	Post consumer 6,0 %, Pre consumer 0 %.
MR 6 Rapidly renewable materials	Textile options are offered that may contribute to this credit.
MR 7 Certified wood	The product is labelled with FSC Mix.

### Building Design and Construction

MR 4 Recycled Content	Post consumer 6,0 %, Pre consumer 0 %.
MR 6 Rapidly renewable materials	Textile options are offered that may contribute to this credit.
MR 7 Certified wood	The product is labelled with FSC Mix.

### Building Design and Maintenance

MR 2.2 Sustainable purchasing – durable goods: furniture	Recycled content: Post consumer 6,0 %, Pre consumer 0 %. The product is labelled with FSC Mix.
--	---

## LEED V 4

### Interior Design & Construction

MR Credit: Interiors life-cycle impact reduction	Services offered for recycling, refreshing or reusing products. Share of recyclable material in the product: 13,6 %.
MR Credit: Building product disclosure and optimization – sourcing of raw materials	Recycled content: Post consumer 6,0 %, Pre consumer 0 %. The product is labelled with FSC Mix.

### Building Design and Construction

MR Credit: Building product disclosure and optimization – sourcing of raw materials	Recycled content: Post consumer 6,0 %, Pre consumer 0 %. The product is labelled with FSC Mix.
MR Credit: Furniture and medical furnishings (healthcare)	The product contains no or less than 100ppm hexavalent chromium, heavy metals, PFCs or PFOA, or added anti-microbial treatments. Recycled content: Post consumer 6,0 %, Pre consumer 0 %. The product is labelled with FSC Mix.

### Building Operations and Maintenance

MR Credit: purchasing—facility maintenance and renovation	The product does not contain any substances on REACH Authorization or Candidate list. The product is labelled with FSC Mix.
---	--

Verified date: 2019-07-02