

Sustainability declaration

6000



*Kinnarps*

## QUALITY AND ENVIRONMENTAL LABELLING



### MATERIAL CONTENT

Steel	12,4 kg	62 %
Plastic	2,8 kg	14 %
Aluminium	1,9 kg	9 %
Foam	1,6 kg	8 %
Wood	0,8 kg	4 %
Fabric	0,5 kg	3 %
<b>Total</b>	<b>20 kg</b>	<b>100 %</b>

*Disclaimer: Material content is based on 6240 task chair with wool fabric and black plastic starbase.*

### RECYCLED MATERIAL

Post-consumer recycled content	4,74 kg	24 %
Pre-consumer recycled content	0 kg	0 %
<b>Total recycled content</b>	<b>4,74 kg</b>	<b>24 %</b>

*Disclaimer: Material content is based on 6240 task chair with wool fabric and black plastic starbase. Numbers may vary based on model and options selected.*

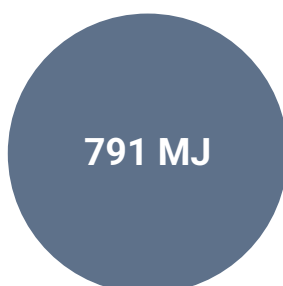
### RECYCLABILITY

Material recycling	88 %
Energy recovery	12 %
<b>Total recyclability</b>	<b>100 %</b>

### TOTAL CO<sub>2</sub>



### ENERGY VALUE (In accordance with NF Environnement)



## FULFILLED TECHNICAL STANDARDS

- EN 1335-1 Dimensions
- EN 1335-2 Safety requirements
- EN 1335-3 Safety test methods, tested against 110 kg personnel weight
- IEC 61340-5-1 General requirements, Protection of electronic devices from electrostatic phenomena

## FULFILLED FIRE REQUIREMENTS

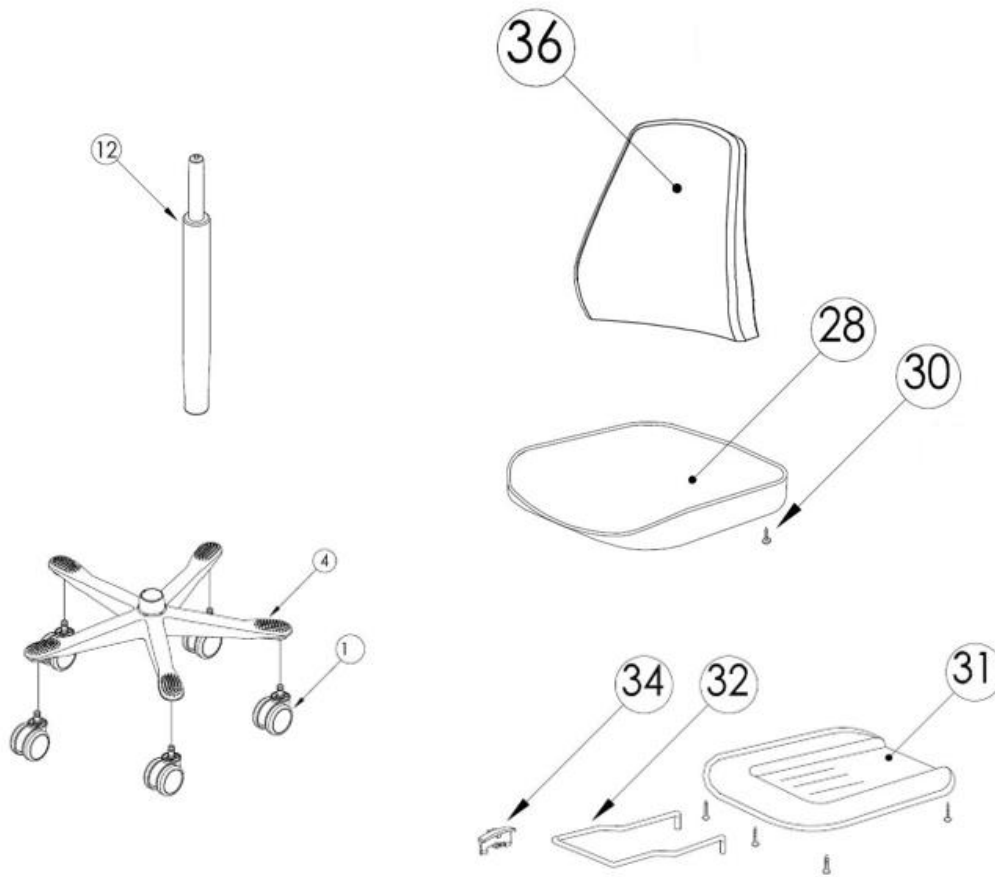
- EN 1021-1 Assessment of the ignitability of upholstered furniture – part 1: Ignition source smouldering cigarette, with Kinnarps standard fabrics
- EN 1021-2 Assessment of the ignitability of upholstered furniture – part 2: Ignition source match flame equivalent, with Kinnarps standard fabrics

## CHEMICAL DATA

The product does not contain:

Substances on Reach candidate list above 0,1 % w/w
Substances on Living Building Challenge Red List
Asbestos
Heavy metals
Phthalates
Brominated or halogenated flame retardants
PVC
Hexavalent chromium
Biocides

# RECYCLING



ID	Material	Tools for disassembly	Waste fraction
1	PA, PP, TPU, Zink	Manual force	Combustible waste
4	Plastic PA	Hammer/Manual force	Metal
12	Steel	Hammer	Metal
28	Textile, foam, wood	Screwdriver/Manual force	Combustible waste
30	Steel	Screwdriver	Metal
31	Steel	Screwdriver	Metal
32	Steel	Manual force	Metal
34	Steel	Manual force/Hammer	Metal
36	Textile, foam, wood	Screwdriver/Manual force	Combustible waste

*\*The product should in first hand be reused or remade before recycling its components.*

## LEED CONTRIBUTION

The product can contribute to the earning of points within the following credits.

### LEED V 4

#### Interior Design and Construction

MR Credit: Interiors life-cycle impact reduction	Kinnarps offers services for recycling, refreshing or reusing products.  Share of recyclable material in the product: 88 %
MR Credit: building product disclosure and optimization – sourcing of raw materials	Recycled content: Post-consumer 24 %, Pre-consumer 0 %  Manufactured in Kinnarp, Sweden

#### Building Design and Construction

MR Credit: building product disclosure and optimization – sourcing of raw materials	Recycled content: Post-consumer 24 %, Pre-consumer 0 %  Manufactured in Kinnarp, Sweden
MR Credit: furniture and medical furnishings (healthcare)	The product contains no or less than 100ppm hexavalent chromium, heavy metals, PFCs or PFOA, or added anti-microbial treatments.  Recycled content: Post-consumer 24 %, Pre-consumer 0 %

#### Building Operations and Maintenance

MR Credit: purchasing— facility maintenance and renovation	The product does not contain any substances on REACH Authorization or Candidate list.
--	---

# WELL 2 CONTRIBUTION

The product can contribute to preconditions or the earning of points within the following features.

## Preconditions

V02 Ergonomic Workstation Design	Part 3: The chair is adjustable in accordance with this feature. Part 5: Instructions on how to make adjustments to achieve the intended benefits of the product are provided through user manuals.
----------------------------------	--

## Optimizations

S02 Maximum Noise Level	The product reduces noise level in the area where it is placed.
S04 Sound Absorption	The product absorbs sound and therefore reduces the reverberation in the area where it is placed.
X05 Enhanced Material Restrictions	The product is free from halogenated flame retardants, per- and polyfluoroalkyl substances (PFAS), lead, cadmium and mercury.

## PACKAGING AND TRANSPORT

The product is shipped with blankets and cardboard sheets as packaging material that is returned to the factories after delivery and reused. This method saves 270 kg of packaging material per container and enables 50% more products to be transported in each truck. Kinnarps' trucks have a load efficiency of approximately 87% and are run on diesel with renewable content that reduces CO<sub>2</sub> emissions.

## MATERIALS

- **Fabrics:** All of Kinnarps' standard fabrics are free from flame retardants and azo dyes. Kinnarps can also offer multiple fabrics labelled with or fulfilling the requirements of EU Ecolabel and/or Oeko-Tex.
- **Wood:** We use FSC® and PEFC certified wood material in the production of our products. The origin and legality of all wood material is controlled and assessed in accordance with Kinnarps Timber Trading Policy. All wood boards fulfil high requirements regarding formaldehyde in accordance with TSCA Title VI or half E1.
- **Metal finishing:** Kinnarps use powder coating for surface treatment of metal which gives very low emissions of volatile organic compounds (VOC). For chrome executions, only trivalent chrome is used.
- **Wood finishing:** Kinnarps treats the surface of veneered tables and storage with water based UV-lacquer which ensures very low application quantities of volatile organic compounds (VOC).
- **Plastic:** Plastic components that are used in products produced by Kinnarps are free from PVC and flame retardants, with the exception of some plastic parts of electrical components. The plastic is also free from PFOS, Bisfenol A and phthalates. Plastic components over 100 g are labelled according to ISO 11469.
- **Padding:** The padding in our task chairs is manufactured in Kinnarps' factory in Skillingaryd, Sweden, which enables us to have control over the whole process and ensure a safe production. The padding used in other products is certified with Oeko-Tex. All padding used in Kinnarps' products are free from flame-retardants and azo dyes.
- **Electronics:** Electronic components are CE-labelled and complies with the EU RoHS directive. This prohibits the use of lead, mercury, cadmium and hexavalent chrome, as well as the flame-retardants PDD and PBDE, in electronic products. Conflict minerals are not allowed in the components.
- **Separability:** Separability is taken into consideration in the product development process in order to facilitate the recycling of material when the products no longer can be used. Different types of material is not casted together in a way that makes it hard to recycle. Products are designed with replaceable parts that are easy to change.

## CARE AND MAINTENANCE RECOMMENDATIONS

<https://www.kinnarps.com/care-recommendations/>

# COMPANY CERTIFICATIONS

- ISO 9001
- ISO 14001
- ISO 45001
- FSC® Chain of Custody

Verified date: 2024-01-19